

Key Features

- Datalogging
- Three Alarm Stages + Relay
- 4~20mA Analogue Output
- Sensor Input Select 4~20mA/mV
- Weather-proof
- Back lit alpha numeric full status display
- Front panel access to set up and maintenance of parameters
- Internal or remote sensor options
- Aspirator sensor option

A fixed single point alarm unit that meets the requirements for economic and reliable monitoring of gas levels in a wide range of environments from commercial premises through to heavy industrial applications that may require hazardous area sensing.

The Frontline 101 may be utilised as a standalone unit or as an addressable sensor forming part of the Frontline Combi CANbus addressable network system and therefore offering the features of our most advanced system.

Typical monitor locations are - public buildings, boiler plant rooms, swimming pools, water treatment works, HVAC control systems, manufacturing and process plants.

Technical Specifications

Measuring Range

Combustible Gas - LEL, % Vol, ppm
Toxic Gas - ppm
Oxygen - % vol - Depletion or Enrichment
Any 4~20mA source input signal

Indicators

Two line alpha numeric back lit display
Power - Green LED
Alarms 1, 2, 3 - Red LEDs
Fault - Amber LED
Alarms inhibit - Amber LED

Audible Alarm

1, 2, 3 and Fault Alarms - mutable
85dB @ 10cm

Alarm Settings

Digital setting (fully-adjustable between zero and full scale)
Delay to alarm

Sensor Inputs (jumper selectable)

Bridge type 3 wire detector mv (Catalytic)
4-20mA (electrochemical / infrared / catalytic / PID / semiconductor)

Power Supply

24v nominal 15 to 30vDC
Option - 230/115v AC 50/60 Hz
The two voltages may be utilised simultaneously - standby supply

Power Consumption

4 watts – full alarm

Outputs

1, 2, 3 and fault alarm relays -SPCO normally de-energised - energised option, latched or unlatched
All contacts rated 3A - 230v AC
4-20mA
CANbus
Logging Intervals - variable time
Roll over/stop
Storage - 2,880 readings
Requires RS232 lead
PC or laptop (dedicated)
Hyperterminal – on request

Miscellaneous

Operating temperature -15 to +50°C
Storage temperature -5 to 55°C

Specification Sheet

Single Point Gas Alarm

Document Ref: C1528 GV5

Technical Specifications

Sensor Cable

3 core 1.5mm² screened 1.5km

Miscellaneous Continued

Alarm relay inhibit during calibration

Sounder Inhibit

System function test

Dimensions L 145 x H 145 x D 65 mm 24vDC version (S)
D 100mm AC version (D)

Weight 0.8 kg

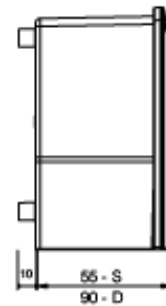
Protection IP65

Field Terminals – screw type 2.5mm

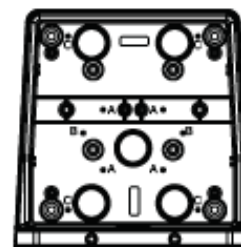
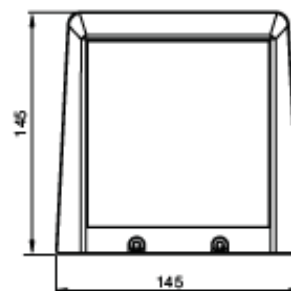
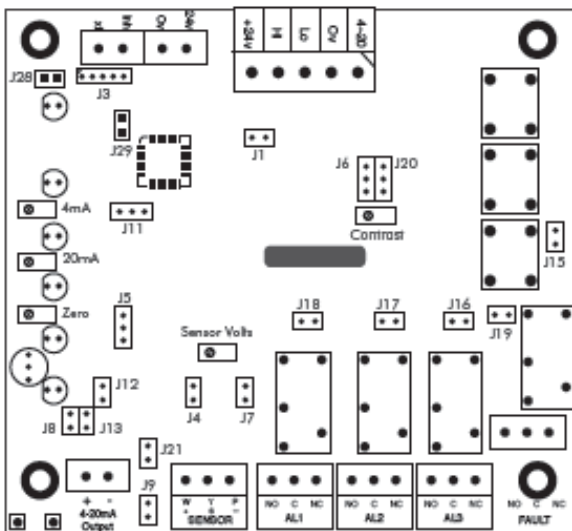
Cable entry – top,

Technical Diagrams

Internal Aspirated Sensor Unit



Control Unit PCB



Cover Lid Removed